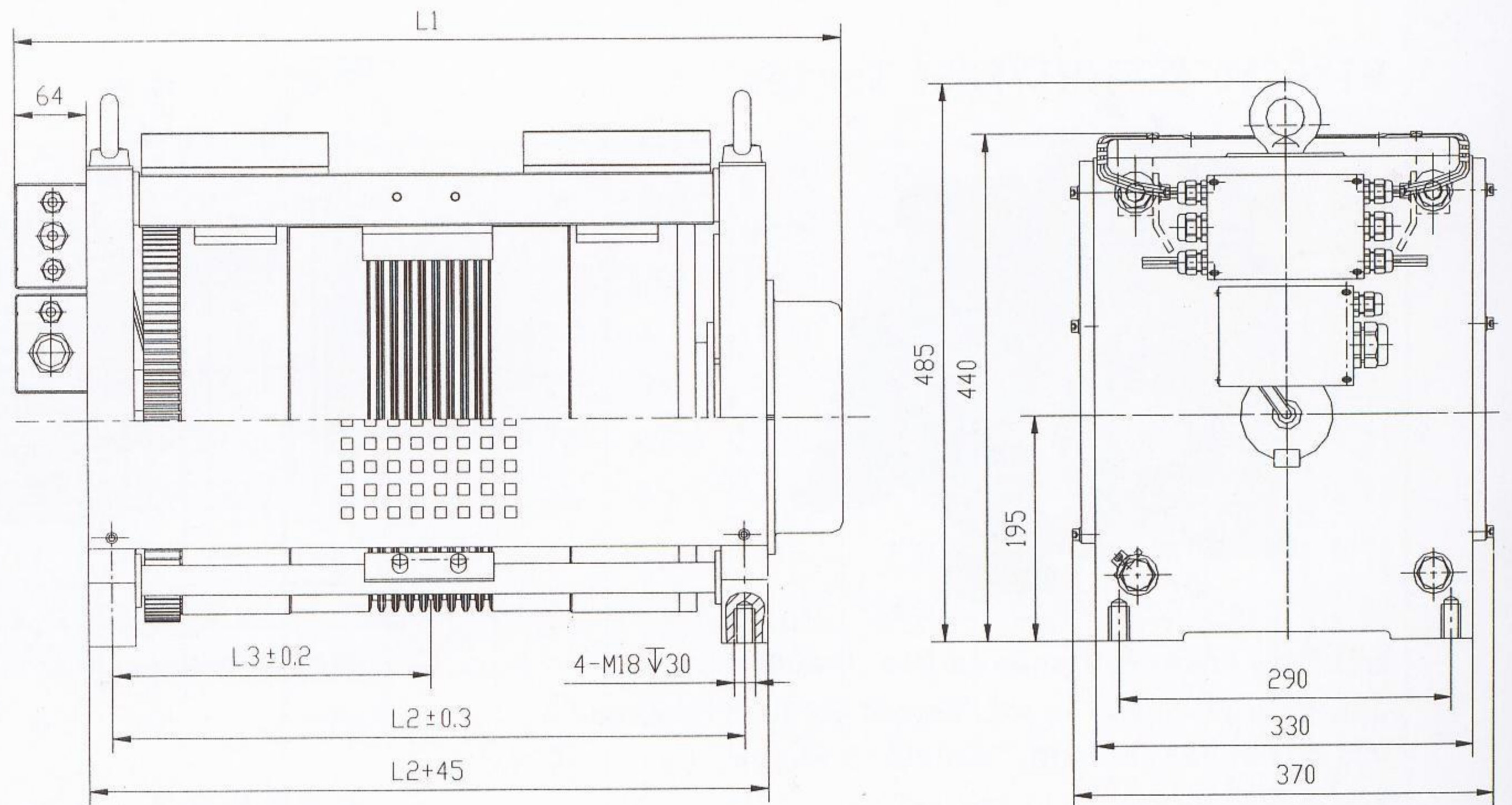




DIANA 系列



曳引轮径/Traction sheave Dia: Φ330mm

槽距/Groove Spacing: 单绕/single wrap: 12mm

最大提升高度/Max Lifting height: 60m

变频器/Converter: 3相, 400V级/3 Phase, Level 400V

制动器电压/Brake Voltage: DC 200V

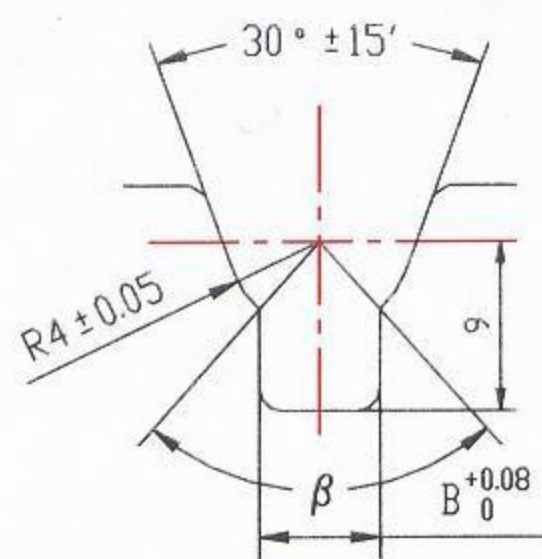
钢丝绳径/Rope Dia: Φ8mm

复绕/double wrap: 10.7mm

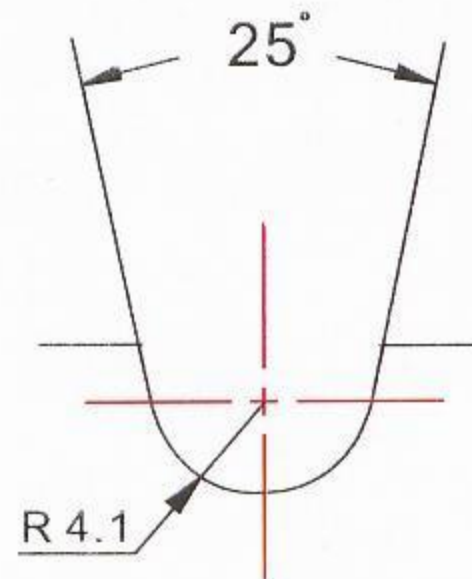
最大轴负荷/Max axle load: 5000kg

电动机极数/Poles: 20

型号带S的为单绕, 带F的为复绕/single wrap for the types including the letter 'S', and doubleness for the types including the letter 'F'



单绕槽形/groove for single wrap



复绕槽形/groove for double wrap

B 代号	B size	β
B1	5.02	78.1°
B2	5.38	85°
B3	5.64	90°
B4	5.88	95°

“\*” 表示标配槽形/ “\*” for standard configuration groove

识别号 Id	型号 Type	L1	L2	L3	梯速 Speed (m/s)	载重 Load (kg)	频率 Frequency (Hz)	转速 Rev r/min	功率 Power (kW)	电流 Current (A)	电压 Voltage (V)	反电势 BMF (V)	绳数 Ropes	曳引比 Suspension	转矩 Torque (N·m)	自重 Weight (kg)	制动力矩 Max.Brake Torque (N·m)	GD <sup>2</sup> (kg·m <sup>2</sup> )
SAE06000	Diana-6.3-320-1S	656	477	238.5	0.63	320	7	37	1.4	3.8	320	250	≤7	1: 1	370	300	925	2.15
SAE06100	Diana-10-320-1S	656	477	238.5	1	320	10	58	2.2	5.6	320	260	≤7	1: 1	370	300	925	2.15
SAE06200	Diana-6.3-400-1S	686	507	253.5	0.63	400	7	37	1.8	4.6	320	250	≤8	1: 1	460	335	1150	2.29
SAE06300	Diana-10-400-1S	686	507	253.5	1	400	10	58	2.8	6.4	320	260	≤8	1: 1	460	335	1150	2.29
SAE06400	Diana-16-400-1S	686	507	253.5	1.6	400	16	93	4.5	10	320	265	≤8	1: 1	460	335	1150	2.29
SAE06500	Diana-6.3-450-1S	716	537	268.5	0.63	450	7	37	2	5	320	250	≤9	1: 1	510	335	1275	2.45
SAE06600	Diana-10-450-1S	716	537	268.5	1	450	10	58	3.1	7.3	320	260	≤9	1: 1	510	335	1275	2.45
SAE06700	Diana-16-450-1S	716	537	268.5	1.6	450	16	93	5	11.2	320	265	≤9	1: 1	510	335	1275	2.45
SAE06800	Diana-6.3-630-1S	786	607	303.5	0.63	630	7	37	2.8	7	320	250	≤9	1: 1	710	396	1775	2.88
SAE06900	Diana-10-630-1S	786	607	303.5	1	630	10	58	4.3	10	320	260	≤9	1: 1	710	396	1775	2.88
SAE07000	Diana-16-630-1S	786	607	303.5	1.6	630	16	93	6.9	15.4	320	265	≤9	1: 1	710	396	1775	2.88
SAE07100	Diana-17.5-630-1S	786	607	303.5	1.75	630	17	101	7.5	16.4	320	268	≤9	1: 1	710	396	1775	2.88
SAE07200	Diana-20-630-1S	786	607	303.5	2	630	20	116	8.6	18.7	320	265	≤9	1: 1	710	396	1775	2.88
SAE07300	Diana-6.3-320-2S	551	372	186	0.63	320	13	74	1.4	3.4	320	270	≤5	2: 1	185	170	463	1.62
SAE07400	Diana-10-320-2S	551	372	186	1	320	20	116	2.2	5.3	320	270	≤5	2: 1	185	170	463	1.62
SAE07500	Diana-6.3-400-2S	581	402	201	0.63	400	13	74	1.8	4	320	265	≤6	2: 1	230	225	575	1.75
SAE07600	Diana-10-400-2S	581	402	201	1	400	20	116	2.8	6.2	320	270	≤6	2: 1	230	225	575	1.75